

Tecnología en Electrónica y Control SRL

Especificaciones del producto

IRB 660

The logo for ABB, consisting of the letters 'A', 'B', and 'B' in a bold, red, sans-serif font. The 'A' is a single block, while the two 'B's are each composed of two vertical blocks.The logo for Tecnología en Electrónica y Control S.R.L. (TEC). It features the letters 'TEC' in a stylized, blue, outlined font. To the left of the letters is a blue wave-like graphic. Below the letters, the text 'TECNOLOGÍA EN ELECTRÓNICA Y CONTROL S.R.L.' is written in a small, black, sans-serif font.

Tecnología en Electrónica y Control SRL

Oficina Central

Wüthrich 949

San Carlos Centro (S3013DES) / Santa Fe / Argentina

Tel./Fax/Líneas Rotativas:

+54 (03404) 420654

+54 (03404) 422910

+54 (03404) 421675

Email: tec@tecsc.com.ar

Oficina Rafaela

Lavalle 84, 6to. piso, oficina 63

Rafaela (S2300GQB) / Santa Fe / Argentina

Tel./Fax: +54 (03492) 437797

Email: tec@tecsc.com.ar

www.tecsc.com.ar

IRB 660 Industrial Robot

MAIN APPLICATIONS

Material handling
Palletizing



Pushing the working envelope

The IRB 660 is a dedicated palletizer that blends speed, reach and payload like no other robot on the market. This is an exceptionally fast 4-axis machine that combines a 3.15 meter reach with a 250 kg payload, making it ideal for palletizing bags, boxes, crates, bottles and more.

The IRB 660 is considerably faster than its predecessor. Its optimized motor power and motion performance ensure significantly shorter cycle times than competing products. The new palletizer comes in a high-speed version capable of handling 180 kg payloads at full speed, and as a 250 kg version for high throughput.

The robot's impressive reach means it can service up to four in-feed conveyors, two pallet stacks, one slip-sheet stack and four palletizing out-feeding lines. In fact, the IRB 660 has the versatility, reach and handling capacity to meet the demands of just about any palletizing applications.

The IRB 660 is easy to come to grips with. ABB's multi-functional IRC 5 controller and comprehensive packaging line software, PickMaster, house all the key functions for quick, easy programming and intuitive operation on the shop floor. Furthermore, the robot's rugged design and IP 67 tightness make for steady performance in even the toughest environments. As well as ensuring those extra lengthy service intervals!

IRB 660

Specification

Robot versions	Handling capacity	Reach
IRB		
660-180/3.15	180 kg	3.15 m
660-250/3.15	250 kg	3.15 m
Number of axes:	4	
Protection class:	IP 67	
Mounting:	Floor mounted	
IRC5 Controller variants	Single cabinet, Dual cabinet	

Performance

Position repeatability	0.1 mm
Path repeatability	0.3 mm

Axis movements

Working range IRB 660

Axis 1 Rotation	+180° to -180° Option +220° to -220°
Axis 2 Arm	+85° to -42°
Axis 3 Arm	+120° to -20°
Axis 6 Turn	+300° to -300° Default +150 rev. to -150 rev. Max.

Max velocity

Axis no.	IRB 660-180/3.15	IRB 660-250/3.15
1	130°/s	95°/s
2	130°/s	95°/s
3	130°/s	95°/s
6	300°/s	240°/s

Electrical connections

Supply voltage	200-600 V, 50/60 Hz
Power consumption	ISO-Cube 2.7 kW
	Normal movements 3.2 kW

Physical

Robot base	1136 x 850 mm
Weight	1650 kg

Environment

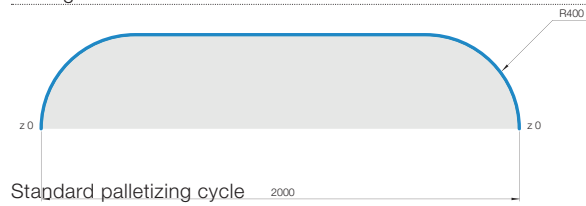
Ambient temperature for mechanical unit:

During operation:	+0°C (32°F) to +50°C (122°F)
During transportation and storage:	-25°C (-13°F) to 55°C (131°F)
For short periods	(Max. 24 h): +70°C (158°F)
Relative humidity	max 95%
Noise level	Max 73 dB (A)
Safety	Double circuits with supervision, emergency stops and safety functions, 3-positions enable device
Emission	EMC/EMI-shielded

Data and dimensions may be changed without notice

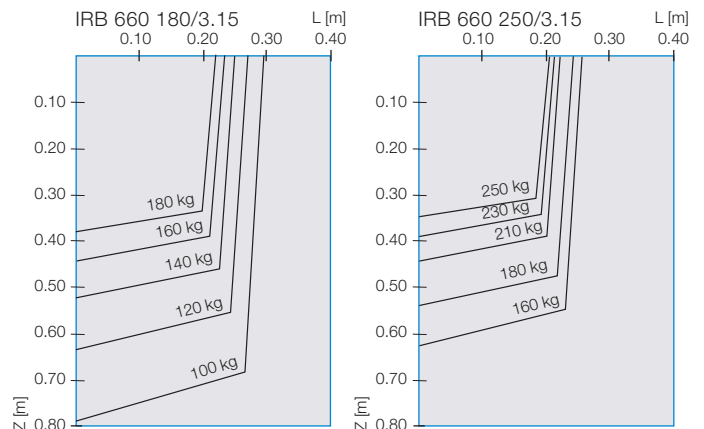
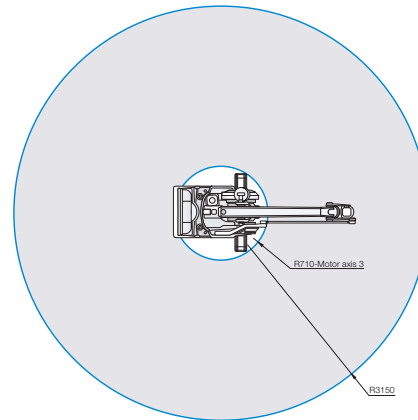
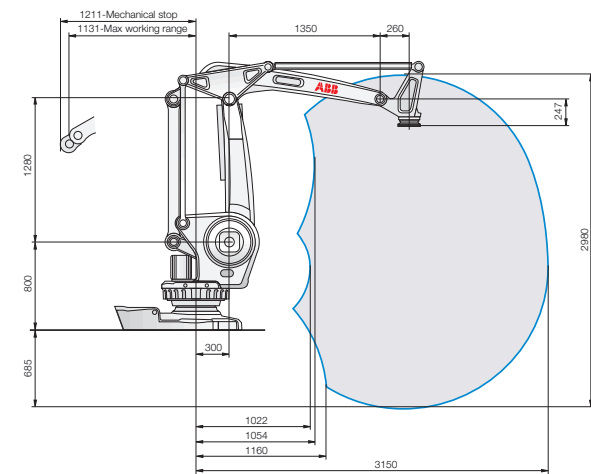
Cycles per hour

Load	Cycles per hour
180 kg	1570
250 kg	1360



Working range at wrist center & load diagram

IRB 660-180/3.15 and IRB 660-250/3.15





Oficina Central: Wüthrich 949, (S3013DES) San Carlos Centro, Santa Fe, Argentina. Tel./Fax/
Líneas Rotativas: +54 (03404) 420654 - +54 (03404) 422910 - +54 (03404) 421675
Oficina Rafaela: Lavalle 84, 6to. piso, oficina 63 (S2300QGB) Rafaela, Santa Fe,
Argentina. Tel./Fax: +54 (03492) 437797

tec@tecsc.com.ar - www.tecsc.com.ar