



revos

# SECURELY FASTENED

Heavy-duty cable gland solutions



# CONTENTS

---

	<b>Cable glands</b>
<b>04</b>	Plastic, metric
<b>06</b>	Plastic, metric, UV resistant
<b>07</b>	Plastic, PG, UV resistant
<b>08</b>	Plastic, metric, with bending protection
<b>09</b>	Plastic, Snap-In
<b>10</b>	Brass, nickel-plated, metric / PG
<b>14</b>	Stainless steel, metric
<b>15</b>	Stainless steel, PG
<b>16</b>	Brass, nickel-plated, Snap-In
<b>17</b>	Brass, nickel-plated, metric
<b>18</b>	EMC brass, nickel-plated, metric
<b>19</b>	EMC brass, nickel-plated, PG
<b>20</b>	EMC assembly instruction
<b>21</b>	EMC technical data + accessories
<b>22</b>	Accessories
<b>26</b>	General technical data
<b>27</b>	General information + contacts

# REVOS · PLASTIC CABLE GLAND, METRIC

## Cable gland



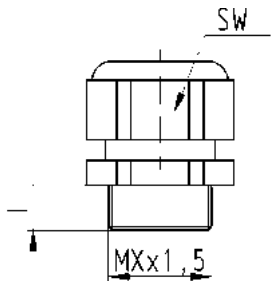
Description	Model				Part No.	P.U.
<b>Cable gland</b>						
Thread	Clamping range [mm]	SW [mm]	l [mm]	VDE	UL	
M16x1.5	4 – 8	20	8	●	●	Z5.507.1153.0 10
M20x1.5	6 – 12	24	9	●	●	Z5.507.1353.0 10
M25x1.5	7 – 16	28	11	●	●	Z5.507.1553.0 10
M32x1.5	15 – 21	36	11	●	●	Z5.507.1753.0 10
M40x1.5	19 – 28	46	11	●	●	Z5.507.1953.0 1
<b>TECHNICAL DATA</b>						
Material	Polyamide					
Color	RAL 7035 light grey					
Protection class	<b>IP68</b>					
Combustibility	UL94-V0					

## Cable gland



Description	Model				Part No.	P.U.
<b>Cable gland</b>						
Thread	Clamping range [mm]	SW [mm]	l [mm]	VDE	UL	
M16x1.5	4 – 8	20	8	●	●	Z5.507.1153.1 10
M20x1.5	6 – 12	24	9	●	●	Z5.507.1353.1 10
M25x1.5	7 – 16	28	11	●	●	Z5.507.1553.1 10
M32x1.5	15 – 21	36	11	●	●	Z5.507.1753.1 10
M40x1.5	19 – 28	46	11	●	●	Z5.507.1953.1 1
<b>TECHNICAL DATA</b>						
Material	Polyamide					
Color	RAL 9005 black					
Protection class	<b>IP68</b>					
Combustibility	UL94-V0					

## DIMENSIONS



# REVOS · PLASTIC CABLE GLAND, METRIC

## Cable gland



Description	Model									Part No.	P.U.
<b>Cable gland</b>											
TD	D	d	H	TL	SW1	SW2	VDE	UL	cCSAus		
Thread	[mm]	[mm]	[mm]	[mm]	[mm]	[mm]					
M12x1.5	16.9	3 – 6.5	23	8	15	15				Z5.503.0053.0 100	
M16x1.5	25	5 – 10	30	10	22	22				Z5.503.0253.0 50	
M20x1.5	27	6 – 12	30	10	24	24				Z5.503.0453.0 50	
M20x1.5	31	10 – 14	33.5	10	27	27				Z5.503.0553.0 50	
M25x1.5	37.2	13 – 18	36.4	10	33	33				Z5.503.0753.0 25	
M32x1.5	47.1	18 – 25	42	15	42	42				Z5.503.0853.0 20	
M16x1.5	21.9	2 – 6	26.5	8	19	19	●	●	●	Z5.503.0153.0 50	
M16x1.5	21.9	4 – 8	26.5	8	19	19	●	●	●	Z5.503.0353.0 50	
M25x1.5	32.5	9 – 13	36	15	29	29	●	●	●	Z5.503.0653.0 50	

### TECHNICAL DATA

Material	Polyamide
Color	RAL 7035 light grey
Seal insert	Chloroprene
Temperature range	-20 °C...+100 °C
Protection class	<b>IP66 / IP68 (5 bar, 30 min.) Type 4X</b>
Combustibility	UL 94 V-2
UV	SERCOV AM RES 107572 according to UL51 4B §8.26.7

## Cable gland

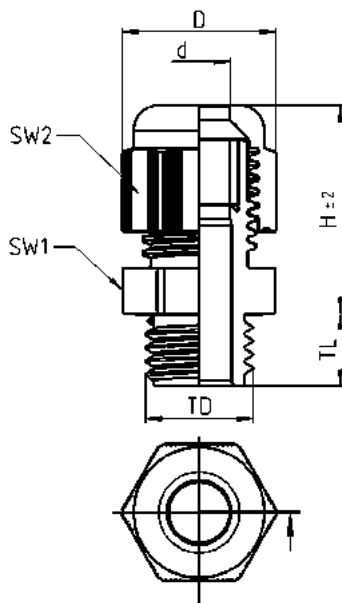


Description	Model									Part No.	P.U.
<b>Cable gland</b>											
TD	D	d	H	TL	SW1	SW2	VDE	UL	cCSAus		
Thread	[mm]	[mm]	[mm]	[mm]	[mm]	[mm]					
M25x1.5	32.5	9 – 13	35.7	15	29	29	●	●	●	Z5.503.0653.1	
M25x1.5	38	13 – 18	36.4	10	33	33				Z5.503.0753.1	
M32x1.5	47.1	18 – 25	41.3	15	42	42				Z5.503.0853.1	
M25x1.5	37.2	9 – 16	36.4	10	33	33	●	●	●	Z5.503.1653.1	

### TECHNICAL DATA

Material	Polyamide
Color	RAL 9005 black
Seal insert	Chloroprene
Temperature range	-20 °C...+100 °C
Protection class	<b>IP66 / IP68 (5 bar, 30 min.) Type 4X</b>
Combustibility	UL 94 V-2
UV	SERCOV AM RES 107572 according to UL51 4B §8.26.7

## DIMENSIONS



### Key

D	Outside diameter
d	Clamping range
H	Height
TL	Thread length
SW1	Fitting
SW2	Cap nut

# REVOS · PLASTIC CABLE GLAND, METRIC, UV RESISTANT

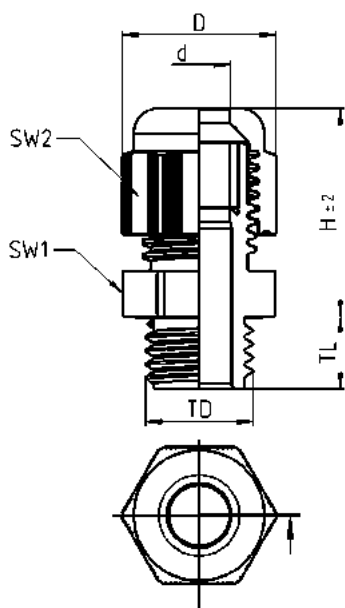
Cable gland



Description	Model				Part No.	P.U.
<b>Cable gland</b>						
TD	D	d	H	TL	SW1	SW2
Thread	[mm]	[mm]	[mm]	[mm]	[mm]	[mm]
M50	67.8	25 – 31	52.8	18	60	60
M50	67.8	30 – 38	52.8	18	60	60
M63	72.4	29 – 35	52.9	18	65	65
M63	72.4	34 – 44	52.9	18	65	65

TECHNICAL DATA	
Material	Polyamide
Color	RAL 9005 black
Seal insert	Chloroprene
Temperature range	-20 °C...+100 °C
Protection class	<b>IP66 / IP68 (5 bar, 30 min.) Type 4X</b>
Combustibility	UL 94 V-2
UV	SERCOV AM RES 107572 according to UL51 4B §8.26.7

## DIMENSIONS



Key	
D	Outside diameter
d	Clamping range
H	Height
TL	Thread length
SW1	Fitting
SW2	Cap nut

# REVOS · PLASTIC CABLE GLAND, PG, UV RESISTANT

## Cable gland

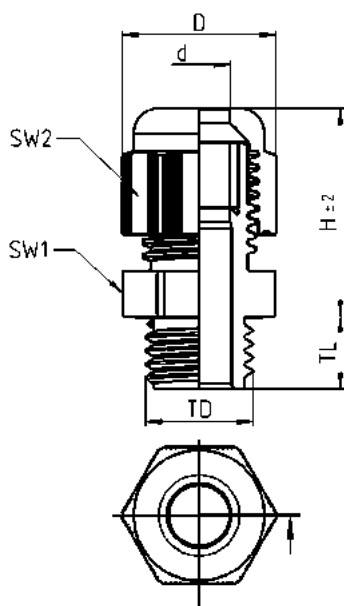


Description	Model				Part No.	P.U.
<b>Cable gland</b>						
TD	D	d	H	TL	SW1	SW2
Thread	[mm]	[mm]	[mm]	[mm]	[mm]	[mm]
PG7	17	3 – 6.5	22.5	8	15	15
PG9	21.7	4 – 8	26.5	8	19	19
PG11	25	5 – 10	29	8	22	22
PG13.5	27	6 – 12	30	10	24	24
PG16	30.9	10 – 14	33	10	27	27
PG21	38	13 – 18	38	11	33	33

### TECHNICAL DATA

Material	Polyamide
Color	RAL 7035 light grey
Seal insert	Chloroprene
Temperature range	-20 °C...+100 °C
Protection class	<b>IP66 / IP68 (5 bar, 30 min.) Type 4X</b>
Combustibility	UL 94 V-2
UV	SERCOV AM RES 107572 according to UL51 4B §8.26.7

## DIMENSIONS



### Key

D	Outside diameter
d	Clamping range
H	Height
TL	Thread length
SW1	Fitting
SW2	Cap nut

# REVOS · PLASTIC CABLE SCREW GLAND, METRIC, WITH BENDING PROTECTION

## Cable gland

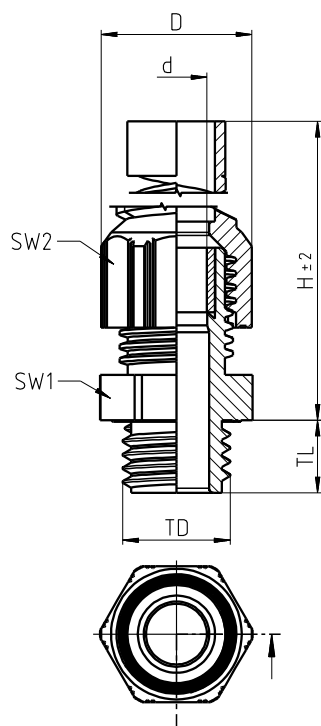


Description	Model	Part No.	P.U.
<b>Cable gland</b>			
TD thread	D [mm]	d [mm]	H [mm]
			TL [mm]
			SW1 [mm]
			SW2 [mm]
		VDE	UL
		CSA	
<b>Color RAL 7035 light grey</b>			
M20x1.5	27.6	5 - 9	94
			10
			24
			24
		●	●
		●	●
		●	●
			Z5.507.0053.0
			100
<b>Color RAL 7001 silver grey</b>			
M25x1.5	38	9 - 16	117.5
			10
			33
			33
		●	●
		●	●
		●	●
			Z5.507.0953.3
			50

### TECHNICAL DATA

Material	Polyamide
Seal insert	Chloroprene
Temperature range	-20 °C...+100 °C
Protection class	<b>IP66 / IP68 (5 bar, 30 min.) Type 4X</b>
Combustibility	UL 94 V-2

## DIMENSIONS



### Key

D	Outside diameter
d	Clamping range
H	Height
TL	Thread length
SW1	Fitting
SW2	Cap nut



# REVOS · PLASTIC CABLE GLAND, SNAP-IN

## Cable gland



Description	Model	Part No.	P.U.
<b>Cable gland</b>			
HD [mm]	SD [mm]	SL [mm]	D [mm]
16.2 – 16.4	15.9	9	26.5
20.2 – 20.4	19.9	9	30.3
20.2 – 20.4	19.9	9	30.3
d [mm]	H [mm]	SW1 [mm]	SW2 [mm]
5 – 10	42.5	22	22
6 – 12	41.5	24	24
6 – 12	41.5	24	24
VDE	UL	CSA	
●	●	●	
Z5.504.4053.3	100		
Z5.504.4153.3	50		
Z5.504.4153.1	50		

### TECHNICAL DATA

Material	PA
Seal insert	Chloroprene
Color	RAL ... (.3 = Silver Gray 7001, .1 = Black 9005)
Extraction tool color	RAL 7035 light grey
Temperature range	-20 °C...+100 °C
Protection class	<b>IP66 / IP68 (5 bar, 30 min.) Type 4X</b>
Combustibility	UL 94 V-2
for wall thicknesses	0.5 – 4.0 mm

## Extraction tool

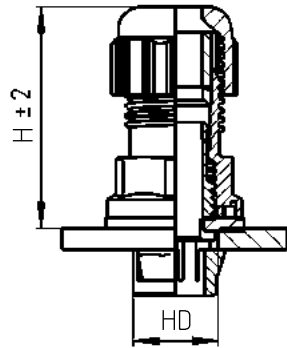
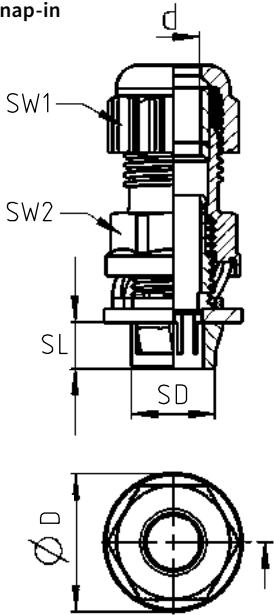


### ACCESSORIES

Part No.	P.U.
<b>Extraction tool</b>	
Dimensions	H [mm]
16	13
20	13
25	13
32	13
	d [mm]
	16
	20
	25
	32
05.504.5053.0	1
05.504.5153.0	1
05.504.5253.0	1
05.504.5353.0	1

## DIMENSIONS

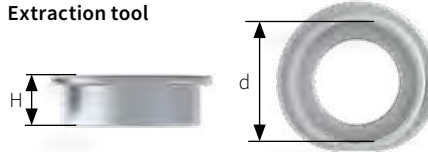
### Snap-in



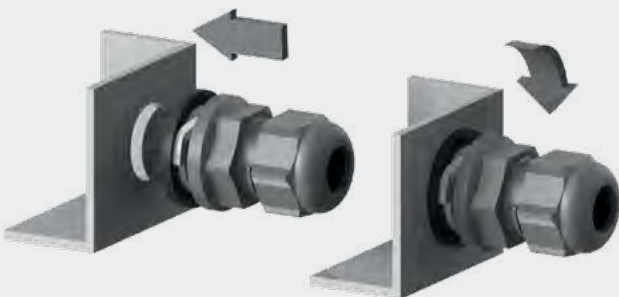
### Key

HD	Bore
SD	Snap diameter
SL	Snap length
D	Outside diameter
d	Clamping range
H	Height
SW1	Fitting
SW2	Cap nut

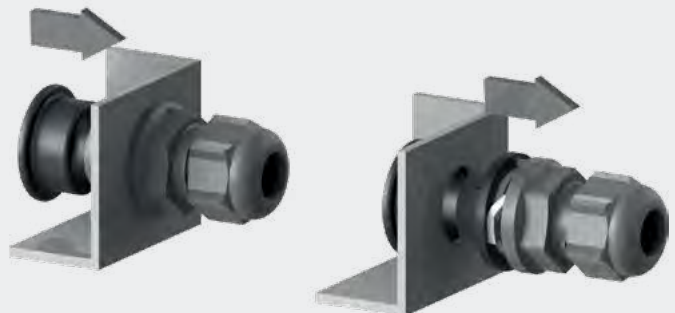
### Extraction tool



### Installation



### Removal



# REVOS · BRASS CABLE GLAND, NICKEL-PLATED, METRIC

## Cable gland

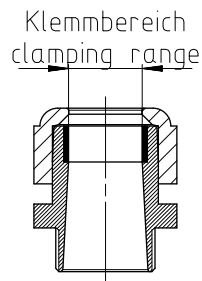
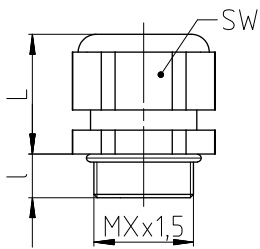


Description	Model	Part No.	P.U.
<b>Cable gland</b>			
Thread	Clamping range [mm]	SW [mm]	I [mm]
M20x1.5	8 – 13	22	6
M25x1.5	11 – 17	27	8
M32x1.5	15 – 21	34	8
M40x1.5	19 – 27	44	8
		L [mm]	cURus
		25.5	●
		30	●
		32	●
		37.5	●
			Z5.507.1321.0 10
			Z5.507.1521.0 10
			Z5.507.1721.0 10
			Z5.507.1921.0 1

### TECHNICAL DATA

Material	Brass, nickel-plated
Terminal insert	Polyamide
Seal insert	Chloroprene
O ring	NBR
Temperature range	-20 °C...+100 °C
Protection class	<b>IP66 / IP68 (5 bar, 30 min.)</b>
Combustibility	UL 94 V-2

## DIMENSIONS



# REVOS · BRASS CABLE GLAND, NICKEL-PLATED, METRIC

## Cable gland

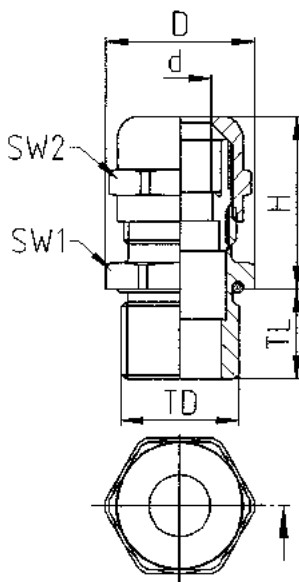


Description	Model								Part No.	P.U.
<b>Cable gland</b>										
TD Thread	D [mm]	d [mm]	H [mm]	TL [mm]	SW1 [mm]	SW2 [mm]	VDE	UL		
M16x1.5	20	4 – 8	23	7	18	17	●	●	Z5.503.2121.0	50
M25x1.5	30	10 – 14	28	8	27	24	●	●	Z5.503.2721.0	25
M25x1.5	33	13 – 18	32.5	8	30	30	●	●	Z5.503.2921.0	25
M32x1.5	37.5	13 – 18	33	9	34	30	●	●	Z5.503.3121.0	20
M63x1.5	83	37 – 53	51	10	75	75	●	●	Z5.503.3921.0	5
M16x1.5	20	4 – 8	23	12	18	17	●	●	Z5.503.2221.0	50
M20x1.5	24.5	6 – 12	24.5	12	22	22	●	●	Z5.503.2421.0	50
M25x1.5	30	10 – 14	28	12	27	24	●	●	Z5.503.2821.0	25
M32x1.5	37.5	13 – 18	33	15	34	30	●	●	Z5.503.3221.0	20
M40x1.5	48.5	18 – 25	38.5	15	43	40	●	●	Z5.503.3521.0	10
M12x1.5	15.5	3 – 6.5	22	12	14	14	●	●	Z5.503.4221.0	50
M16x1.5	22	5 – 10	28.5	12	20	20	●	●	Z5.503.4421.0	50
M20x1.5	24.5	6 – 12	26	12	22	22	●	●	Z5.503.4621.0	50
M25x1.5	30	11 – 17	30.5	12	27	27	●	●	Z5.503.4821.0	25
M32x1.5	37	15 – 21	36.2	15	34	34	●	●	Z5.503.5021.0	20
M40x1.5	48.4	19 – 28	43.5	15	43	43	●	●	Z5.503.5221.0	10
M50x1.5	64	27 – 38	52	15	58	58	●	●	Z5.503.5421.0	5
M50x1.5	70	27 – 44	52.8	9	64	64	●	●	Z5.503.5921.0	5

### TECHNICAL DATA

Material	Brass, nickel-plated
Terminal insert	Polyamide
Seal insert	Chloroprene
O ring	NBR
Temperature range	-20 °C...+100 °C
Protection class	<b>IP66 / IP68 (5 bar, 30 min.) Type 4X</b>
Combustibility	UL 94 V-2

## DIMENSIONS



### Key

D	Outside diameter
d	Clamping range
H	Height
TL	Thread length
SW1	Fitting
SW2	Cap nut

# REVOS · BRASS CABLE GLAND, NICKEL-PLATED, PG

## Cable gland

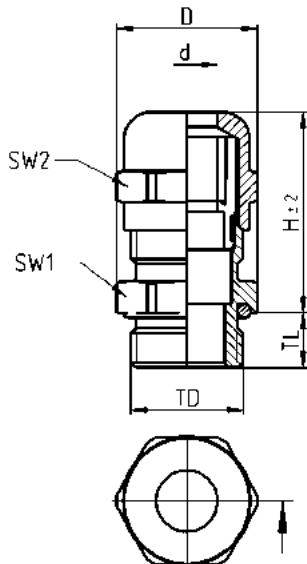


Description	Model							Part No.	P.U.
<b>Cable gland</b>									
TD Thread	D [mm]	d [mm]	H [mm]	TL [mm]	SW1 [mm]	SW2 [mm]	UL		
PG7	15.5	3 – 6.5	22	6	14	14	●	Z5.504.2021.0	50
PG9	18.9	4-8	23.5	6	17	17	●	Z5.504.2221.0	50
PG11	22	5 – 10	26	6	20	20	●	Z5.504.2421.0	50
PG13.5	24.5	6 – 12	24.5	6.5	22	22	●	Z5.504.2621.0	50
PG16	26.5	10 – 14	28	6.5	24	24	●	Z5.504.2821.0	25
PG21	33	13 – 18	32.5	7.2	30	30	●	Z5.504.3021.0	25
PG29	44.5	18 – 25	38.5	8	40	40	●	Z5.504.3221.0	10
PG36	55.5	22 – 32	48	9	50	50	●	Z5.504.3421.0	5
PG7	15.5	3 – 6.5	22	10	14	14	●	Z5.504.2110.0	50
PG9	18.9	4 – 8	23.5	10	17	17	●	Z5.504.2321.0	50
PG11	22	5 – 10	26	10	20	20	●	Z5.504.2521.0	50
PG13.5	24.5	6 – 12	24.5	10	22	22	●	Z5.504.2721.0	50
PG16	26.5	10 – 14	28	10	24	24	●	Z5.504.2921.0	25
PG21	33	13 – 18	32.5	12	30	30	●	Z5.504.3121.0	25
PG29	44.5	18 – 25	38.5	12	40	40	●	Z5.504.3321.0	10
PG36	55.5	22 – 32	48	14	50	50	●	Z5.504.3521.0	5

### TECHNICAL DATA

Material	Brass, nickel-plated
Terminal insert	Polyamide
Seal insert	Chloroprene
O ring	NBR
Temperature range	-20 °C...+100 °C
Protection class	<b>IP66 / IP68 (5 bar, 30 min.) Type 4X</b>
Combustibility	UL 94 V-2

## DIMENSIONS



### Key

D	Outside diameter
d	Clamping range
H	Height
TL	Thread length
SW1	Fitting
SW2	Cap nut

# REVOS · BRASS CABLE GLAND, NICKEL-PLATED, METRIC

## Cable gland

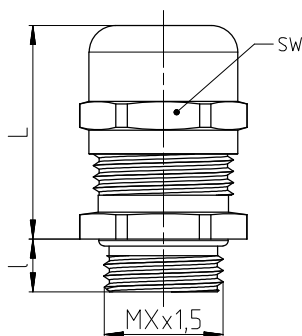


Description	Model	Part No.	P.U.
<b>Cable gland</b>			
Thread	Clamping range [mm]	L [mm]	l [mm]
M16x1.5	5 – 10	28.5	7
M20x1.5	6 – 12	26.5	8
M25x1.5	11 – 17	32.5	8
M32x1.5	15 – 21	36	8
M40 x 1.5	19 – 28	43.5	9
		SW [mm]	VDE
			cURus

\*Upon request

<b>TECHNICAL DATA</b>	
Material	Brass, nickel-plated
Terminal insert	Polyamide
Seal insert	Chloroprene
O ring	NBR
Temperature range	-20 °C...+100 °C
Protection class	<b>IP69</b>
Combustibility	UL 94 V-2

## DIMENSIONS



# REVOS · STAINLESS STEEL CABLE GLAND, METRIC

## Cable gland

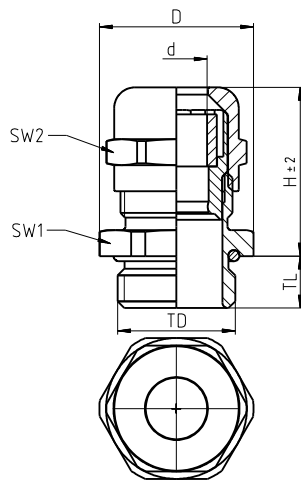


Description	Model				Part No.	P.U.				
<b>Cable gland</b>										
TD	D	d	H	TL	SW1	SW2	VDE	UL		
Thread	[mm]	[mm]	[mm]	[mm]	[mm]	[mm]				
M12x1.5	15.5	3.5 - 6.5	22	6	14	14	●	●	Z5.503.6019.0	10
M16x1.5	21	4 - 8	23	7	19	17	●	●	Z5.503.6119.0	10
M16x1.5	24	5 - 10	28	7	22	22	●	●	Z5.503.6819.0	10
M20x1.5	24.5	6 - 12	26	8	22	22	●	●	Z5.503.6219.0	10
M25x1.5	30	10 - 14	27.5	8	27	24	●	●	Z5.503.6319.0	10
M32x1.5	39.8	13 - 18	32.5	9	36	30	●	●	Z5.503.6419.0	10
M40x1.5	51.4	18 - 25	40.6	9	46	41	●	●	Z5.503.6519.0	10

### TECHNICAL DATA

Material	Stainless steel 1.4305 (AISI 303)
Terminal insert	Polyamide
Seal insert	Chloroprene
O ring	NBR
Temperature range	-20 °C...+100 °C
Protection class	<b>IP68 (5 bar, 30 min.) Type 4X</b>
Combustibility	UL 94 V-2

## DIMENSIONS



### Key

D	Outside diameter
d	Clamping range
H	Height
TL	Thread length
SW1	Fitting
SW2	Cap nut

# REVOS · STAINLESS STEEL CABLE GLAND, PG

## Cable gland

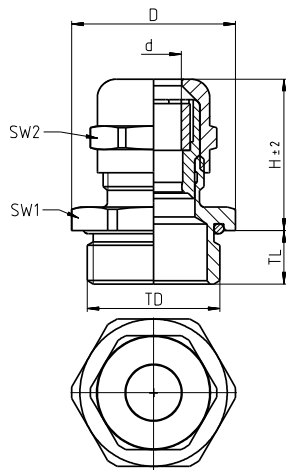


Description	Model				Part No.	P.U.				
<b>Cable gland</b>										
TD Thread	D [mm]	d [mm]	H [mm]	TL [mm]	SW1 [mm]	SW2 [mm]	UL	cUR		
PG7	15.5	3 – 6.5	22	6	14	14	●	●	Z5.504.6019.0	10
PG9	21	4 – 8	22.7	6	19	17	●	●	Z5.504.6119.0	10
PG11	24	5 – 10	25.5	6	22	22	●	●	Z5.504.6219.0	10
PG13.5	24.5	6 – 12	24	6.5	22	22	●	●	Z5.504.6319.0	10
PG16	26.5	10 – 14	28	6.5	24	24	●	●	Z5.504.6419.0	10
PG21	33	13 – 18	32	7.2	30	30	●	●	Z5.504.6519.0	10
PG29	45.5	18 – 25	37	8	41	41	●	●	Z5.504.6619.0	10
PG36	55.5	22 – 32	47.5	9	50	50	●	●	Z5.504.6719.0	10

### TECHNICAL DATA

Material	Stainless steel 1.4305 (AISI 303)
Terminal insert	Polyamide
Seal insert	Chloroprene
O ring	NBR
Temperature range	-20 °C...+100 °C
Protection class	<b>IP68 (5 bar, 30 min.) Type 4X</b>
Combustibility	UL 94 V-2

## DIMENSIONS



### Key

D	Outside diameter
d	Clamping range
H	Height
TL	Thread length
SW1	Fitting
SW2	Cap nut

# REVOS · BRASS CABLE GLAND, NICKEL-PLATED, SNAP-IN

## Cable gland



Description	Model	Part No.	P.U.
<b>Cable gland</b>			
HD [mm]	SD [mm]	SL [mm]	D [mm]
d [mm]	H [mm]	SW1 [mm]	SW2 [mm]
16.2 – 16.4	16	9	28.3
5 – 10	45	20	20
Z5.504.5021.0	20		
20.2 – 20.4	20	9	32.3
6 – 12	44	22	22
Z5.504.5121.0	20		

TECHNICAL DATA	
Material	Brass, nickel-plated
Extraction tool material	Plastic
Seal	Chloroprene
Extraction tool color	RAL 7035 light grey
Temperature range	-20 °C...+100 °C
Protection class	<b>IP66 / IP68 (5 bar, 30 min.)</b>
Combustibility	UL 94 V-2
for wall thicknesses	0.5 – 4.0 [mm]

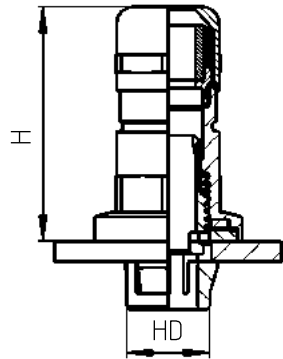
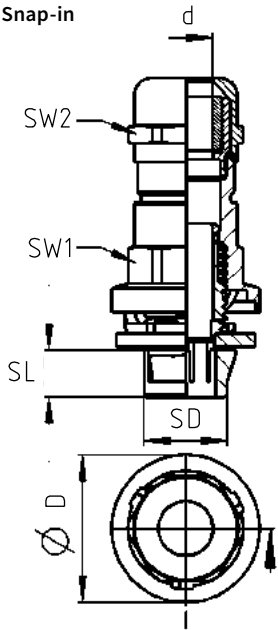
## Extraction tool



ACCESSORIES		Part No.	P.U.
<b>Extraction tool</b>			
Dimensions	H [mm]	d [mm]	
16	13	16	05.504.5053.0 1
20	13	20	05.504.5153.0 1
25	13	25	05.504.5253.0
35	13	32	05.504.5353.0

## DIMENSIONS

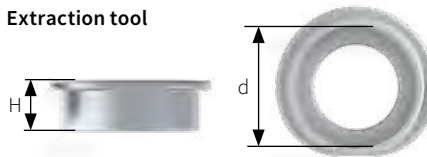
### Snap-in



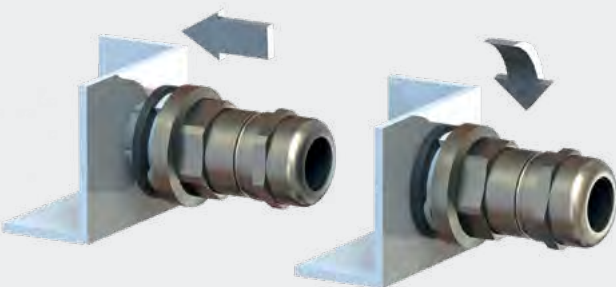
### Key

HD	Bore
SD	Snap diameter
SL	Snap length
D	Outside diameter
d	Clamping range
H	Height
SW1	Fitting
SW2	Cap nut

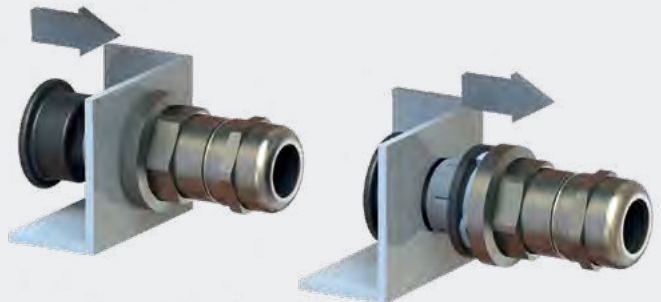
### Extraction tool



### Installation



### Removal





# REVOS · BRASS CABLE GLAND, NICKEL-PLATED, METRIC

Cable screw gland, IP54, with strain relief



Description	Model	Part No.	P.U.
<b>Metal cable screw gland</b>			
Thread	Cable Ø [mm] L [mm] l [mm] SW [mm]		
M20x1.5	6.5 – 11.5 24 6 24	Z5.507.5821.0	1
M25x1.5	9 – 20 29 7 34	Z5.507.6021.0	10
M32x1.5	17 – 28 32 8 42	Z5.507.6221.0	1
M40x1.5	23 – 35 40 8 52	Z5.507.6421.0	1
<b>TECHNICAL DATA</b>			
Material	Brass, nickel-plated		
Color	-		
Protection class	<b>IP54</b>		
Combustibility	-		

Cable bushing, IP54



Description	Model	Part No.	P.U.
<b>Metal cable bushing</b>			
Thread	Cable Ø [mm] L [mm] l [mm] SW [mm]		
M16x1.5	3 – 9 15 5 16	Z5.507.2121.0	1
M20x1.5	4 – 13 17.5 6 20	Z5.507.2221.0	1
M25x1.5	8.5 – 17.5 20 7 25	Z5.507.2321.0	1
M32x1.5	16 – 25 23 8 32	Z5.507.2421.0	1
<b>TECHNICAL DATA</b>			
Material	Brass, nickel-plated		
Color	-		
Protection class	<b>IP54</b>		
Combustibility	-		

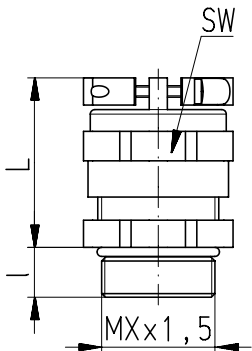
Trumpet screw gland, IP54



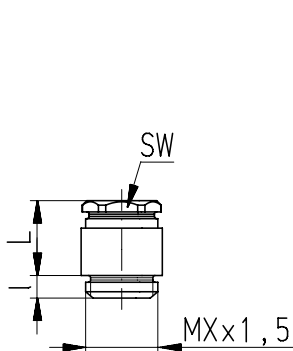
Description	Model	Part No.	P.U.
<b>Metal cable screw gland</b>			
Thread	Cable Ø [mm] L [mm] l [mm] SW [mm]		
M16x1.5	4 – 9 29 5 18	Z5.507.9521.0	10
M20x1.5	6.5 – 13.5 33 6 22	Z5.507.9621.0	10
M25x1.5	9 – 20 38 7 30	Z5.507.9721.0	10
M32x1.5	17 – 26 43 8 36	Z5.507.9821.0	10
<b>TECHNICAL DATA</b>			
Material	Brass, nickel-plated		
Color	-		
Protection class	<b>IP54</b>		
Combustibility	-		

## DIMENSIONS

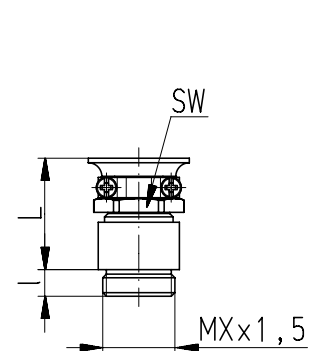
Cable screw gland, IP54, with strain relief, metal



Cable screw gland, IP54, metal



Trumpet screw gland, IP54, metal



# REVOS EMC · BRASS CABLE GLAND, NICKEL-PLATED, METRIC

## Cable gland

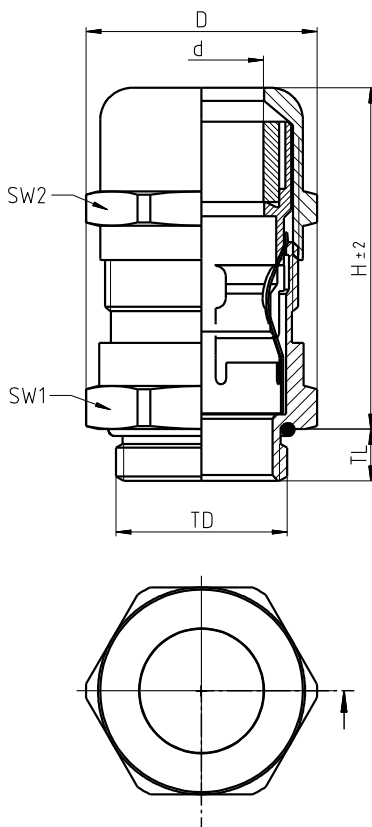


Description	Model	Part No.	P.U.
<b>Cable gland</b>			
TD	D	d	Shield
Thread	[mm]	[mm]	Ø [mm]
			H
			TL
			SW1
			SW2
			VDE
			UL
			cUL
M12x1.5	15.5	3.0 – 6.5	2.0 – 5.0
			28
			6
			14
			14
			● ● ●
			Z5.503.7021.0
			50
M16x1.5	22	5 – 10	3.5 – 8.0
			33.1
			6
			20
			20
			● ● ●
			Z5.503.7121.0
			50
M20x1.5	26.8	7.5 – 14	5.5 – 11.5
			39.6
			8
			24
			24
			● ● ●
			Z5.503.7221.0
			10
M25x1.5	33	10 – 18	7 – 14
			43
			8
			30
			30
			● ● ●
			Z5.503.7321.0
			10
M32x1.5	43.5	16 – 25	12 – 20
			53
			9
			40
			40
			● ● ●
			Z5.503.7421.0
			10
M40x1.5	55.5	22 – 32	18 – 27
			60.5
			9
			50
			50
			● ● ●
			Z5.503.7521.0
			10

### TECHNICAL DATA

Material	Brass, nickel-plated
Terminal insert	Polyamide
Seal insert	Chloroprene
O ring	NBR
Temperature range	-20 °C...+100 °C
Protection class	<b>IP68 (5 bar, 30 min.) Type 4X</b>
Combustibility	UL 94 V-2

## DIMENSIONS



### Key

D	Outside diameter
d	Clamping range
TD	Thread diameter
H	Height
TL	Thread length
SW1	Fitting
SW2	Cap nut

# REVOS EMC · BRASS CABLE GLAND, NICKEL-PLATED, PG

## Cable gland

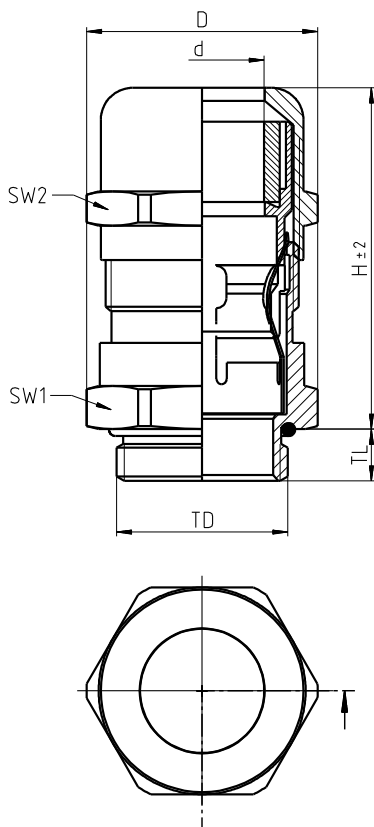


Description	Model		Part No.	P.U.					
<b>Cable gland</b>									
TD	D	d	Shield	H	TL	SW1	SW2		
Thread	[mm]	[mm]	Ø [mm]	[mm]	[mm]	[mm]	[mm]		
PG16	27.5	7.5 - 14	5.5 - 11.5	39.5	6.5	24	25	Z5.504.7421.0	10
PG21	35.5	10 - 18	7 - 14	42.5	7	24	25	Z5.504.7521.0	10
PG29	43.5	16 - 25	12 - 20	52.5	9	40	40	Z5.504.7621.0	10

### TECHNICAL DATA

Material	Brass, nickel-plated
Terminal insert	Polyamide
Seal insert	Chloroprene
O ring	NBR
Temperature range	-20 °C...+100 °C
Protection class	<b>IP68 (5 bar, 30 min.) Type 4X</b>
Combustibility	UL 94 V-2

## DIMENSIONS



### Key

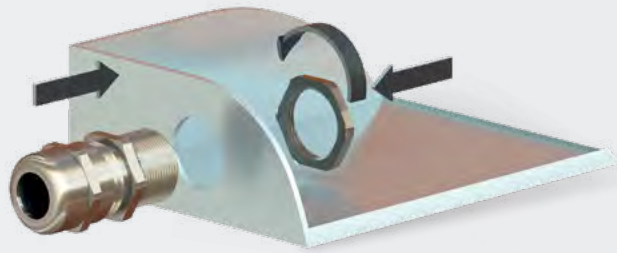
D	Outside diameter
d	Clamping range
TD	Thread diameter
H	Height
TL	Thread length
SW1	Fitting
SW2	Cap nut

# REVOS EMC · ASSEMBLY INSTRUCTION

## 1 Mounting EMC gland nut

Fasten EMC cable screw gland on the housing to the specified torque.

Torque see table below.



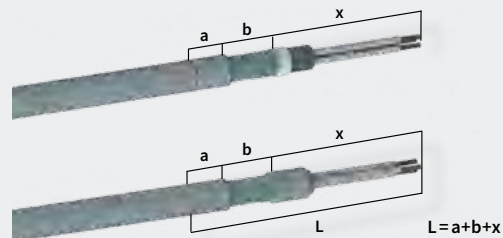
## 2 Cable preparation

a) Mark dimension "L" on the cable sheath.

b) Carefully remove outer cable sheath "b+x" using a suitable cable stripper. Do not damage braid.

c) Protect braid with insulating tape or a piece of cable sheath at the end.

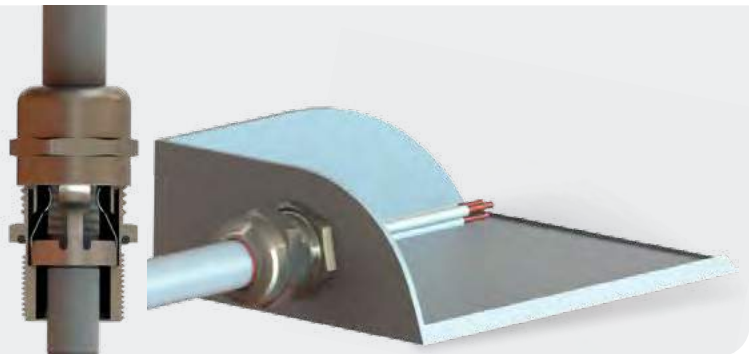
For dimension a and b see table below.



Key:  
a = outer screen length (for dimension a see table)  
b = stripped shield length (for dimension b see table)  
x = Length in the housing (dimension x is dependent on the housing used)

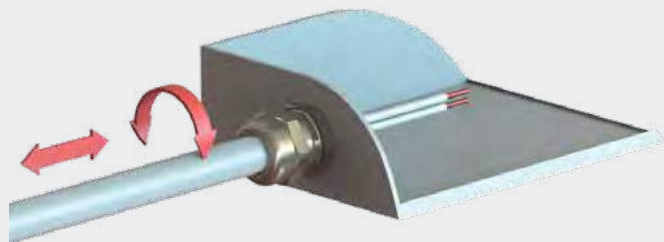
## 3 Connecting the cable with the EMC gland nut

Insert cable into the screw gland until the "L" mark is at the height of the cap nut. The cable shield must now be connected to the EMC spring of the screw gland.



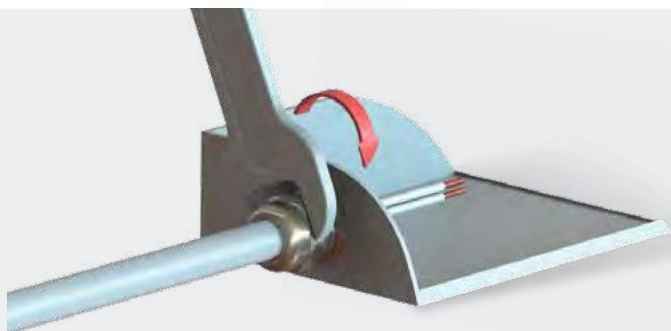
## 4 Positioning of the cable

The cable can still be positioned as long as the cap nut is not tightened to the specified torque.



## 5 Tighten the cap nut

Tighten the cap nut to the specified torque (see table page 21).



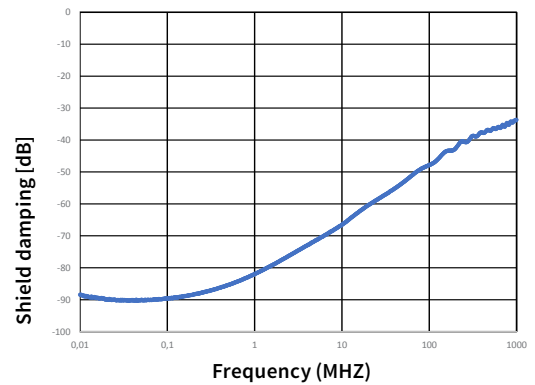
# REVOS EMC · TECHNICAL DATA · ACCESSORIES

## Shield damping

### EMC test results: Shield damping

Reference: 75.503.7221.0 / M20x1.5

The measurements have been taken by the VDE Test and certification institute according to the triaxial method.



## Tightening moment

Part No.	Thread size	Outer sheath length marking a [mm]	Stripped shield length b [mm]	Tightening torque cable gland thread [Nm]	Tightening torque cable screw cap thread [Nm]
<b>Metric cable screw glands</b>					
Z5.503.7021.0	M12x1.5	10.5	14	5 ±0.5	5 ±0.5
Z5.503.7121.0	M16x1.5	15	14	9 ±0.5	9 ±0.5
Z5.503.7221.0	M20x1.5	15	19	10 ±1	10 ±1
Z5.503.7321.0	M25x1.5	19	20	15 ±1	15 ±1
Z5.503.7421.0	M32x1.5	21	26	22 ±1	22 ±1
Z5.503.7521.0	M40x1.5	26	28	42 ±1	42 ±1
<b>Cable glands PG</b>					
Z5.504.7421.0	PG 16	15	19	10 ±1	10 ±1
Z5.504.7521.0	PG 21	19	20	15 ±1	15 ±1
Z5.504.7621.0	PG 29	21	26	22 ±1	22 ±1

## REVOS EMC lock nut, metric acc. to DIN EN 62444

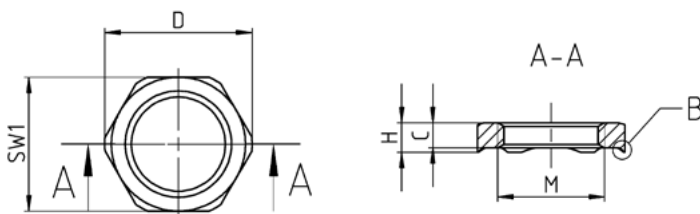


Description	Model	Part No.				
<b>Lock nut, metric, EMC acc. to DIN EN 62444</b>						
M		H	C	SW1	D	
Thread		[mm]	[mm]	[mm]	[mm]	
M12	EMV	3.3	2.8	15	16.5	05.506.7821.0
M16	EMV	3.5	3.0	19	21.0	05.506.7921.0
M20	EMV	3.7	3.0	24	26.5	05.506.8021.0
M25	EMV	3.7	3.0	30	33.0	05.506.8121.0
M32	EMV	4	3.5	36	39.5	05.506.8221.1
M40	EMV	4.6	4.0	46	51.0	05.506.8321.0
M50	EMV	5.6	5.0	60	66.0	05.506.8421.0
M63	EMV	6.7	6.0	70	77.0	05.506.8521.0

### TECHNICAL DATA

Material: Brass, free from paint-wetting impairment substances (silicone-free)

## DIMENSIONS



### Key

H   C	Height
SW1	Wrench width
D	Outside diameter

# REVOS · ACCESSORIES

## FLANGE AND LOCK NUT, METRIC

### Flange nut



Description	Model	Part No.	P.U.
<b>Flange nut</b>			
Thread	D [mm]	H [mm]	SW1 [mm]
M12x1.5	19.5	5	18
M16x1.5	24.2	5	22
M20x1.5	28.6	6	26
M25x1.5	35	6	32
M32x1.5	46.1	7	41
M40x1.5	55.3	7	50
M50x1.5	66.1	8	60
M63x1.5	82.5	8	75

#### TECHNICAL DATA

Material	Polyamide
Color	RAL 7035 light grey
Temperature range	-20 °C...+100 °C
Combustibility	UL 94 HB

### Brass lock nut

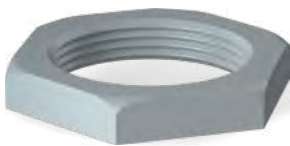


Description	Model	Part No.	P.U.
<b>Brass lock nut</b>			
Thread	H [mm]	SW [mm]	
M16x1.5	3.0	20	05.505.0021.0
M20x1.5	3.0	24	05.505.0121.0
M25x1.5	3.5	30	05.505.0221.0
M32x1.5	4.0	36	05.505.0321.0
M40x1.5	5.0	46	05.505.0421.0
M50x1.5	5.0	60	05.505.0921.0
M63x1.5	6.0	70	05.505.1021.0

#### TECHNICAL DATA

Material	Brass, nickel-plated
Temperature range	-20 °C...+100 °C
Protection class	<b>IP66 / IP68 (5 bar, 30 min.)</b>

### Plastic lock nut



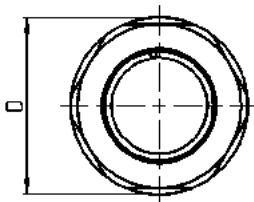
Description	Model	Part No.	P.U.
<b>Plastic lock nut</b>			
Thread	H [mm]	SW [mm]	
M16x1.5	5.0	22	05.505.0053.0
M20x1.5	6.0	26	05.505.0153.0
M25x1.5	6.0	32	05.505.0253.0
M32x1.5	7.0	41	05.505.0353.0
M40x1.5	7.0	50	05.505.0453.0
M50x1.5	8.0	60	05.505.0953.0
M63x1.5	8.0	75	05.505.1053.0

#### TECHNICAL DATA

Material	Polyamide
Color	RAL 7035 light grey
Temperature range	-20 °C...+100 °C
Combustibility	UL 94 HB

## DIMENSIONS

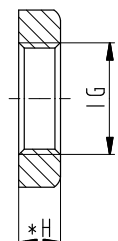
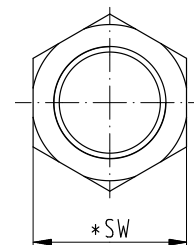
### Flange nut



#### Key

D	Outside diameter
H	Height
SW1	Wrench width

### Lock nut



# REVOS · ACCESSORIES

## SCREW PLUG

Plastic screw plug, metric, with O-ring



Description	Model				Part No.	P.U.
<b>Screw plug, metric, plastic</b>						
Thread	TD [mm]	TL [mm]	H [mm]	D [mm]		
M16x1.5	16	7	4.5	20	05.506.7153.0	100
M20x1.5	20	7	5.5	24	05.506.7253.0	50
M25x1.5	25	10	5	30	05.506.7353.0	25
<b>TECHNICAL DATA</b>						
Material	Polyamide					
Color	RAL 7035 light grey					
Temperature range	-20 °C...+100 °C					
Protection class	<b>IP68 (5 bar, 30 min.)</b>					
Combustibility	UL 94 V-2					

Plastic screw plug, PG, with O-ring



Description	Model				Part No.	P.U.
<b>Screw plug, PG</b>						
Thread	TD [mm]	TL [mm]	H [mm]	D [mm]		
PG7	12.5	6	2	15	05.506.6053.0	100
PG9	15.2	6	2.5	19	05.506.6153.0	100
PG11	18.6	6	2.5	22	05.506.6253.0	50
PG13.5	20.4	6	2.5	25	05.506.6353.0	50
PG16	22.5	6	2.5	27	05.506.6453.0	50
PG21	28.3	8	4	33	05.506.6553.0	25
<b>TECHNICAL DATA</b>						
Material	Polyamide					
Color	RAL 7035 light grey					
Temperature range	-20 °C...+100 °C					
Protection class	<b>IP68 (5 bar, 30 min.)</b>					
Combustibility	UL 94 V-2					

Plastic screw plug, without O-ring



Description	Model		Part No.	P.U.
<b>Plastic screw plug</b>				
Thread [AG]	D [mm]	l [mm]		
M20x1.5	24 - 27	6	05.507.4053.0	1
M25x1.5	30 - 33	8	05.507.4153.0	1
M32x1.5	37 - 44	8	05.507.4253.0	1
M40x1.5	46 - 55	8 - 10	05.507.4353.0	1
<b>Technical data</b>				
Material	Polyamide			
Color	RAL 7035 light grey			
Combustibility	UL94-V0			

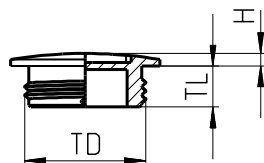
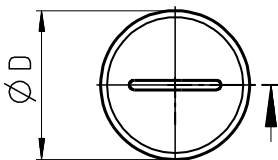
Brass screw plug, metric, with O-ring



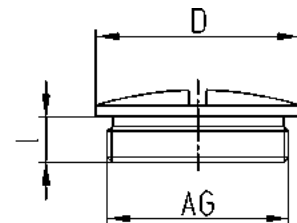
Description	Model				Part No.	P.U.
<b>Brass screw plug, metric</b>						
Thread	TD [mm]	TL [mm]	H [mm]	D [mm]		
M20x1.5	20	6 - 6.5	3.5 - 4	22 - 24	05.507.4021.0	10
M25x1.5	25	7	4 - 6	28 - 30	05.507.4121.0	1
M32x1.5	32	8	4 - 5.5	35 - 39	05.507.4221.0	1
M40x1.5	40			43 - 50	05.507.4321.0	
<b>TECHNICAL DATA</b>						
Material	Brass, nickel-plated					
Color	Metallic					
Protection class	<b>IP66 / IP68 (5 bar, 30 min.)</b>					

### DIMENSIONS

Screw plug



Key	
TD	Thread diameter
TL	Thread length
H	Height
D	Outside diameter



# REVOS · ACCESSORIES ADAPTER

## Brass reducer, nickel plated



Description	Model	Part No.	P.U.		
<b>Reducer</b>					
Outer thread [OT]	Inner thread [IT]	D [mm]	l [mm]		
M20x1.5	M16x1.5	22	6	05.507.9021.0	1
M25x1.5	M20x1.5	27	7	05.507.9121.0	1
M32x1.5	M25x1.5	34	8	05.507.9221.0	1
M40x1.5	M32x1.5	43	8	05.507.9321.0	1
<b>TECHNICAL DATA</b>					
Material	Brass, nickel-plated				
Color	-				
Protection class	-				
Combustibility	-				

## Brass expander



Description	Model	Part No.	P.U.		
<b>Expander</b>					
Outer thread [OT]	Inner thread [IT]	D [mm]	l [mm]		
M16x1.5	M20x1.5	22	5	05.507.8621.0	1
M20x1.5	M25x1.5	27	6	05.507.8721.0	1
M25x1.5	M32x1.5	34	7	05.507.8821.0	1
M32x1.5	M40x1.5	43	8	05.507.8921.0	1
<b>TECHNICAL DATA</b>					
Material	Brass, nickel-plated				
Color	-				
Protection class	-				
Combustibility	-				

## PG to metric adapter



Description	Model	Part No.	P.U.		
<b>PG adapter</b>					
Outer thread [OT]	Inner thread [IT]	D [mm]	l [mm]		
PG 13.5	M20x1.5	26	6.5	05.507.7621.0	1
PG 16	M20x1.5	24	6.5	05.507.7721.0	1
PG 21	M25x1.5	30	7	05.507.7821.0	1
<b>TECHNICAL DATA</b>					
Material	Brass, nickel-plated				
Color	-				
Protection class	-				
Combustibility	-				

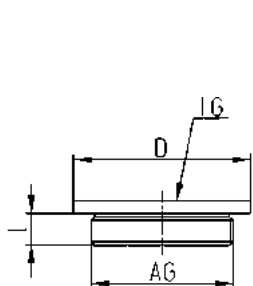
## Metric to PG adapter



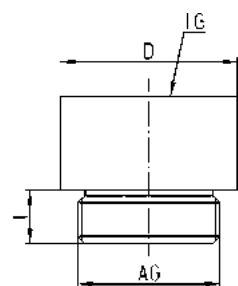
Description	Model	Part No.	P.U.		
<b>Metric adapter</b>					
Outer thread [OT]	Inner thread [IT]	D [mm]	l [mm]		
M20x1.5	PG 13.5	22	6	05.507.8121.0	1
M20x1.5	PG 16	24	6	05.507.8221.0	1
M25x1.5	PG 21	30	7	05.507.8321.0	1
M32x1.5	PG 29	39	8	05.507.8421.0	1
<b>TECHNICAL DATA</b>					
Material	Brass, nickel-plated				
Color	-				
Protection class	-				
Combustibility	-				

## DIMENSIONS

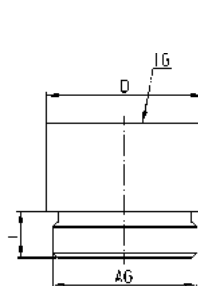
Brass reducer, nickel plated



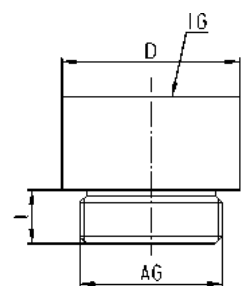
Brass expander



PG to metric adapter



Metric to PG adapter





# REVOS · ACCESSORIES

## MULTIPLE SEAL

Multiple seal  
Replaces standard seal



Description	Model	Part No.	P.U.
<b>Multiple seal</b>			
Replaces clamping range [mm]	Number of hole per sealing x diameter in [mm]	H [mm]	D [mm]
6 – 12	2x5	8.4	16
6 – 12	2x6	8.4	16
6 – 12	3x5	8.4	16
10 – 14	3x6	9.3	18
13 – 18	3x8	12.2	22.9
13 – 18	4x7	12.2	22.9
11 – 17	6x4	10.7	20.4
18 – 25	2x8	14	30.4
15 – 21	9x4	14.2	25.4

### TECHNICAL DATA

Material	Chloroprene
Color	RAL 9005 black
Temperature range	-20 °C...+100 °C

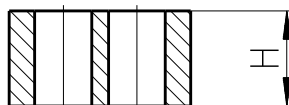
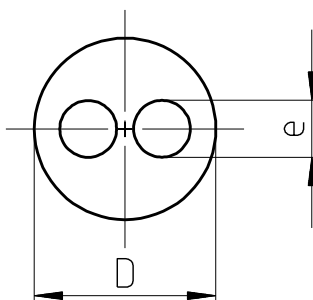
\* The multi-hole seal with the part number 05.512.5083.0 is sealed with a membrane and can be used as dust or water protection even without cables.

### Assignment of multiple seal to cable screw gland

The multiple seal enables the insertion of several conductors into a screw gland.  
The multiple seal can be used in the following screw glands:

Clamping range in [mm]					
6 – 12	10 – 14	11 – 17	13 – 18	15 – 21	18 – 25
Multiple seal					
05.512.4083.0	05.512.4683.0	05.512.5583.0	05.512.4883.0	05.512.5883.0	05.512.4383.0
05.512.4183.0			05.512.5083.0		
05.512.4583.0					
Cable gland					
Z5.503.0453.0	Z5.503.0553.0	Z5.503.4821.0	Z5.503.0753.0	Z5.503.5021.0	Z5.503.0853.0
Z5.503.2421.0	Z5.503.2721.0		Z5.503.3121.0		Z5.503.3521.0
Z5.503.4621.0	Z5.503.2821.0		Z5.503.2921.0		Z5.503.6519.0
Z5.503.6219.0	Z5.503.6319.0		Z5.503.3221.0		Z5.504.3221.0
Z5.504.0353.0	Z5.504.0453.0		Z5.503.6419.0		Z5.504.3321.0
Z5.504.2621.0	Z5.504.2821.0		Z5.504.0553.0		Z5.504.6619.0
Z5.504.2721.0	Z5.504.2921.0		Z5.504.3021.0		
Z5.504.6319.0	Z5.504.6419.0		Z5.504.3121.0		
Z5.504.4153.1			Z5.504.6519.0		
Z5.504.4153.3					
Z5.504.5121.0					

### DIMENSIONS



### Key

e	Diameter seal insert bores
H	Height
D	Outside diameter

# REVOS · ACCESSORIES

## BLIND PLUG

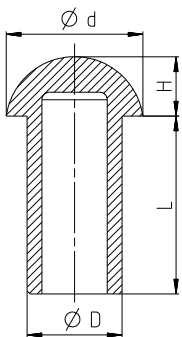
### Blind plug



Description	Model				Part No.	P.U.
<b>Blind plug</b>						
Dimensions	D [mm]	L [mm]	d [mm]	H [mm]		
9	6.4	12	9.2	4.0	05.512.7053.1	1000
13	9.7	9	13.3	5.3	05.512.7253.1	50
16	12	13	15.8	8.0	05.512.7453.1	50
18	13.6	13.5	18	8.7	05.512.7653.1	50
22	17.8	14	22	10	05.512.7853.1	25
29	25	15	28.5	9.7	05.512.8053.1	25
32	27.3	15.8	31.5	9.2	05.512.8153.1	10
37	31.8	17	36.8	10.7	05.512.8253.1	10

TECHNICAL DATA	
Material	Polyamide
Color	RAL 9005 black
Temperature range	-20 °C...+100 °C
Combustibility	UL 94 V-2

### DIMENSIONS



## GENERAL TECHNICAL DATA

Cable gland Model	Clamping range [mm]	Recommended tightening torque *Lock nut		Recommended tightening torque *Lock nut to body		Relevant lock nut thickness
		Nm	Tolerance	Nm	Tolerance	H [mm]
M12x1.5	2.0 – 5.0	2.0	± 0.5	2.0	± 0.5	5.0
M16x1.5	2.0 – 6.0	2.0	± 0.5	2.5	± 0.5	5.0
M20x1.5	5.0 – 9.0	5.0	± 0.5	3.5	± 0.5	6.0
M25x1.5	9.0 – 13.0	6.0	± 0.5	3.5	± 0.5	6.0
M32x1.5	11.0 – 15.5	6.0	± 0.5	5.0	± 0.5	7.0
M40x1.5	16.0 – 23.0	12.0	± 0.5	5.0	± 0.5	7.0

- \* For threaded enclosures it is recommended to engage 3 full threads, otherwise it is recommended to use lock nut
- 1) The body max tight. torque is limited with the a) body thread type b) threaded enclosure thickness c) lock nut thickness
  - 2) These indicative torque values are determined for the safe using of the glands.  
According to the item 1, these torque values can be increased

#### Application 1



#### Application 2





# INFO TO GO

All brochures from Wieland Electric are available for download on our website.



<https://www.wieland-electric.com/en/support/downloads>

Interesting for you

## REVOS CATALOG

Industrial multipole connectors for harsh environments  
Part No. 0530.1



## REVOS MODULAR

Modular industrial connectors for power, signal + communication  
Part No. 0546.1



**Wieland on YouTube:**  
Watch our solutions in motion



<https://www.youtube.com/user/WielandElectric>



**Technical consultation**  
Industrial Solutions

E-Mail: [industry@wieland-electric.com](mailto:industry@wieland-electric.com)

Worldwide: <https://wie.li/contactinternational>



# ONLY ONE TAP AWAY

## Our Wieland E-Shop

Over 25,000 products - anytime

In our online store you will find all the information about our products, prices, and technical data.

Order easily and conveniently online, and check availability.

<https://eshop.wieland-electric.com>

Scan QR code – view products in the E-Shop.





# wieland

## HEADQUARTERS

Wieland Electric GmbH  
Brennerstrasse 10 – 14  
96052 Bamberg · Germany

---

Phone +49 951 9324-0  
Fax +49 951 9324-198  
info@wieland-electric.com

0544.1 MC 12/23

Represented in over 70 countries worldwide:

[www.wieland-electric.com](http://www.wieland-electric.com)